

80% of Actual Size
Screen Print (one colour)

207mm



A 2-3mm tolerance is expected for alignment of the printed artwork and the CamelBak logo.



80% of Actual Size
Screen Print (one colour)

207mm

Approximately 15mm unprintable area
120mm

Approximately 15mm unprintable area

CAMELBAK®

A 2-3mm tolerance is expected for alignment of the printed artwork and the CamelBak logo.

80% of Actual Size
Screen Print (one colour)
Double Sided Template

207mm

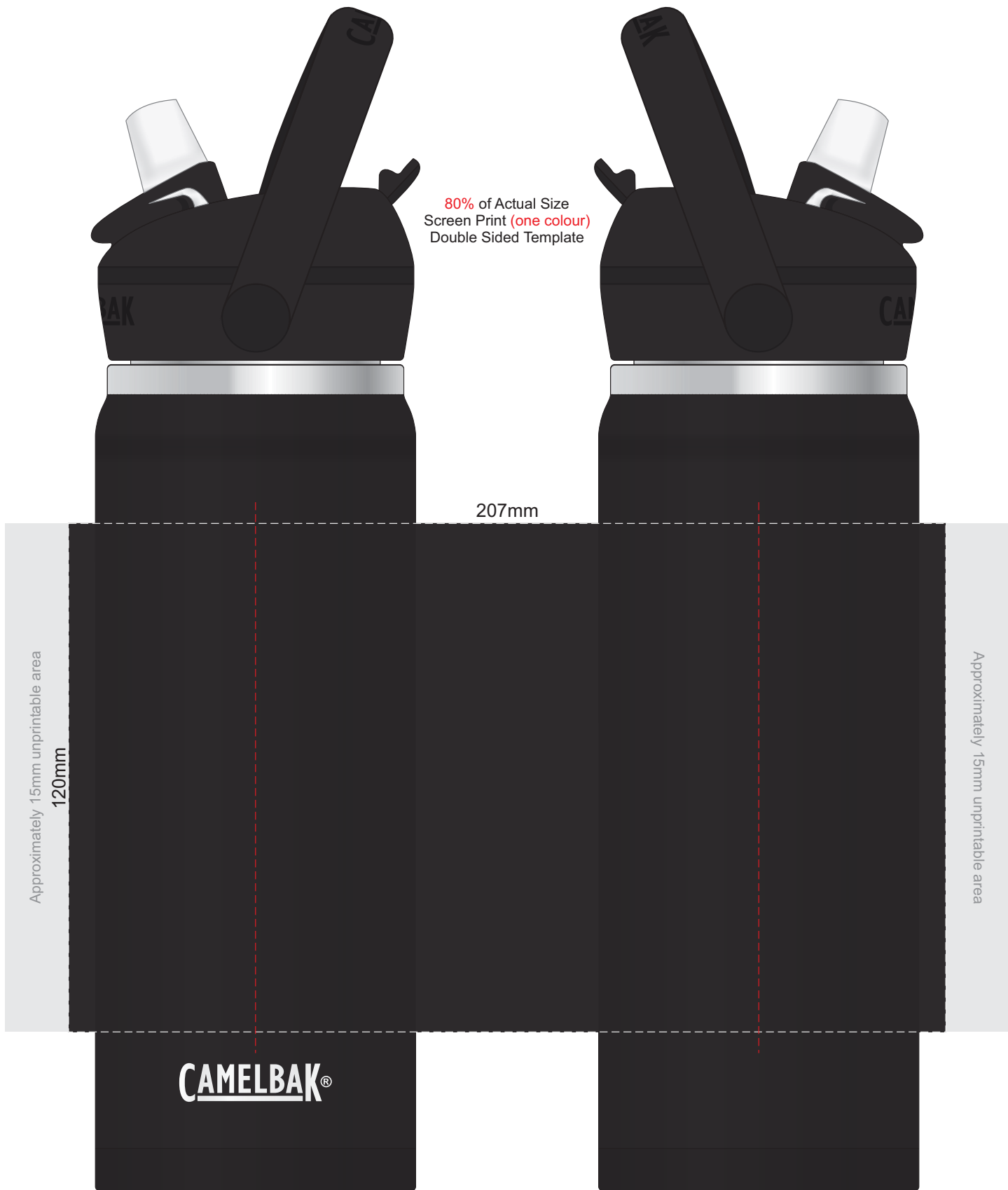
Approximately 15mm unprintable area
120mm

Approximately 15mm unprintable area

CAMELBAK®

A 2-3mm tolerance is expected for alignment of the printed artwork and the CamelBak logo.

Red Line = Exact opposites of the product
(centre artwork to the red line)



80% of Actual Size
Screen Print (one colour)
Double Sided Template

207mm

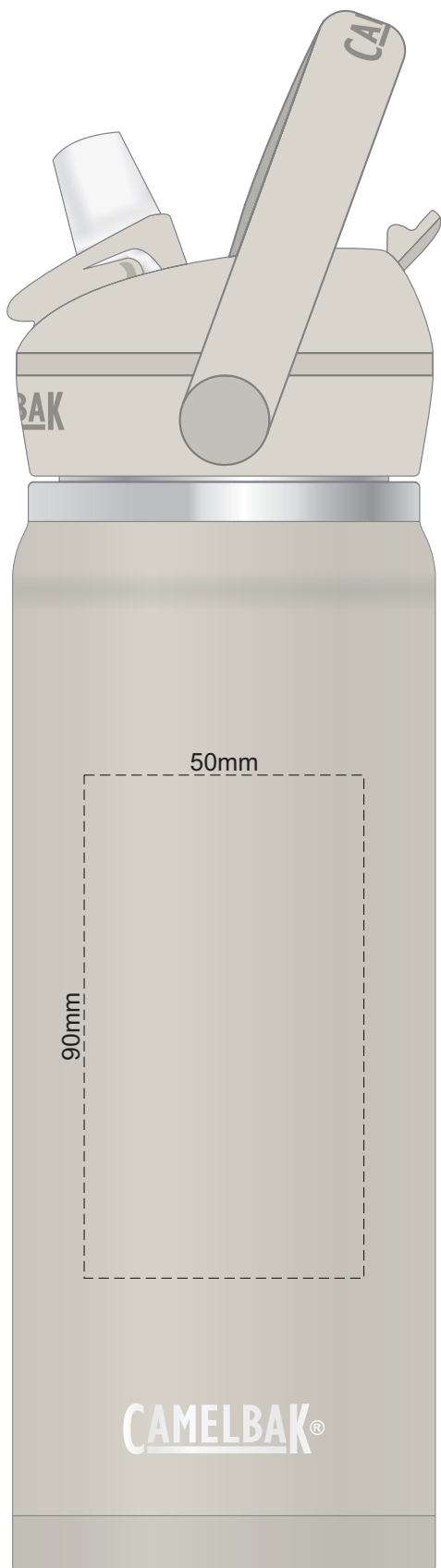
Approximately 15mm unprintable area
120mm

Approximately 15mm unprintable area

CAMELBAK®

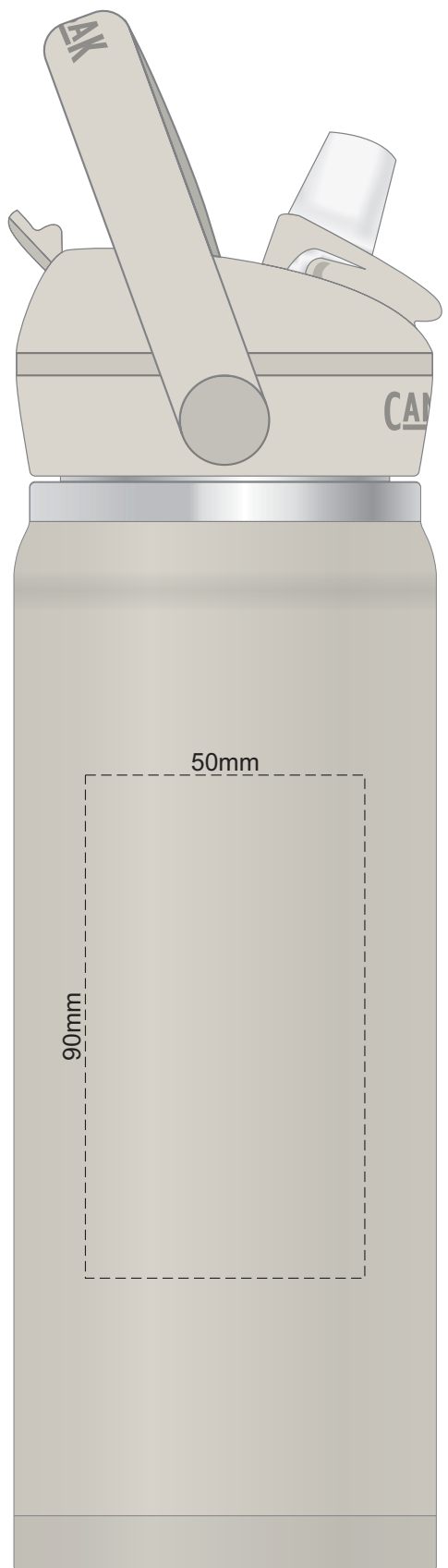
A 2-3mm tolerance is expected for alignment of the printed artwork and the CamelBak logo.

Red Line = Exact opposites of the product
(centre artwork to the red line)



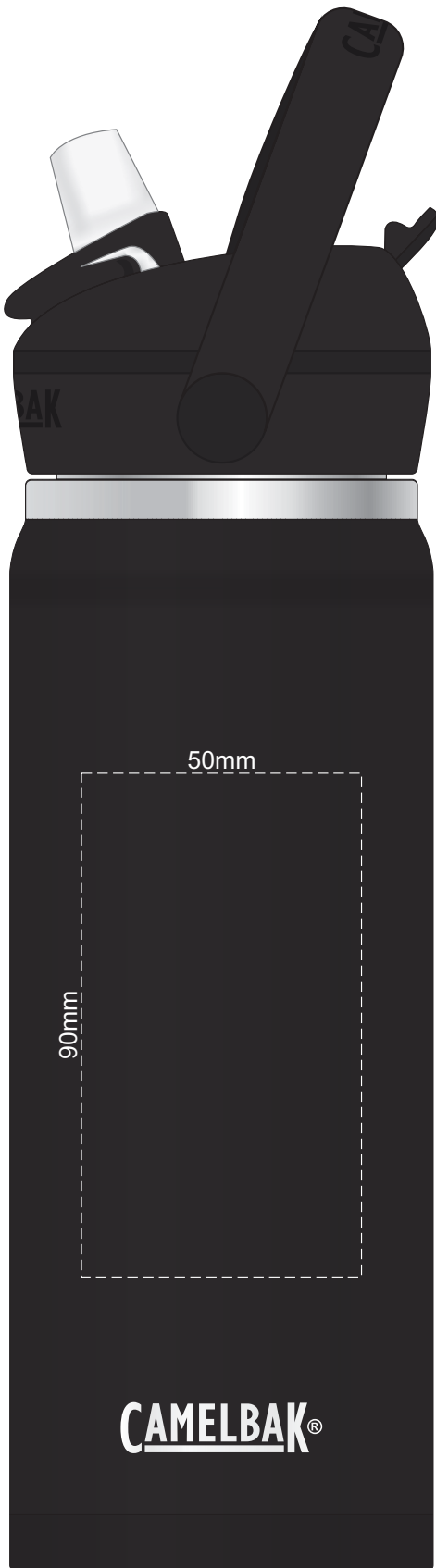
SIDE 1

80% of Actual Size
Laser Engraving



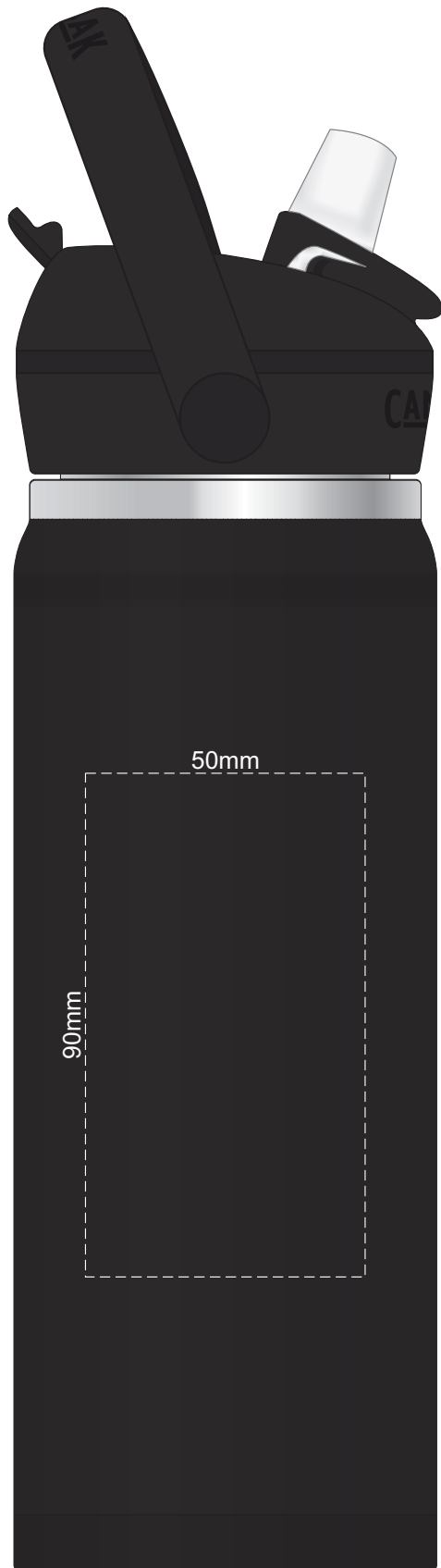
SIDE 2

Engraves to a Shiny Steel Finish

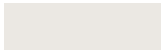


SIDE 1

80% of Actual Size
Laser Engraving



SIDE 2



Engraves to a Shiny Steel Finish