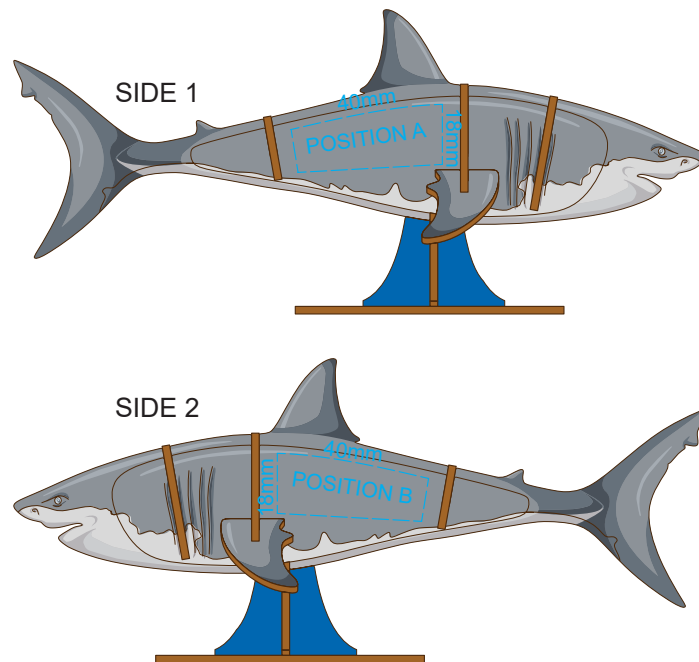


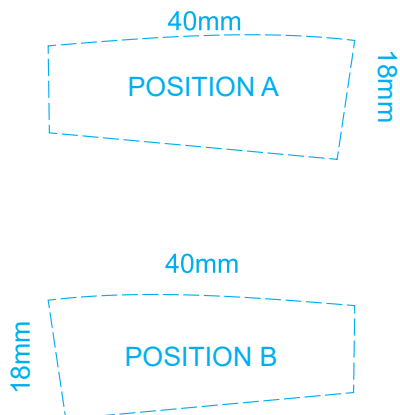
50% of Actual Size  
Direct Digital



Up to a 2mm tolerance is expected for alignment of the printed artwork against the engraved lines. Slight inconsistencies are to be considered acceptable if the artwork is printed over an engraved line

Blue Line = Safe area for Artwork

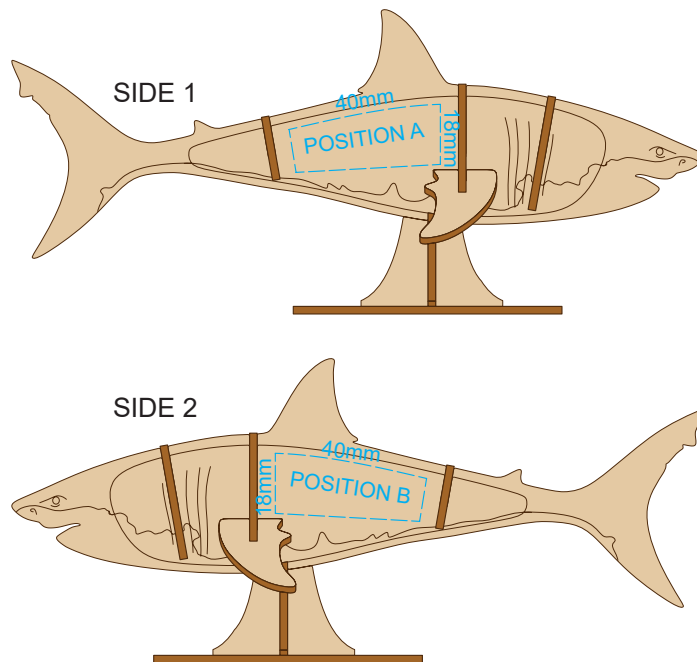
100% of Actual Artwork Print Area



## BRANDING SPECIFICATION - Shark Wooden Model - 126734

The colours of the product cannot be customised. It can be supplied with either the preset colour layout (as per template) or in a natural wood finish. The product is provided flat packed in a cardboard sleeve with assembly instructions.

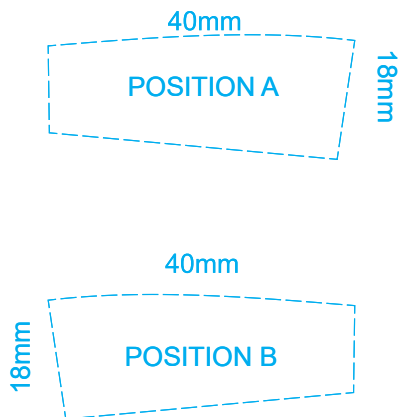
50% of Actual Size  
Screen Print (One Colour)



Up to a 2mm tolerance is expected for alignment of the printed artwork against the engraved lines. Slight inconsistencies are to be considered acceptable if the artwork is printed over an engraved line

Blue Line = Safe area for Artwork

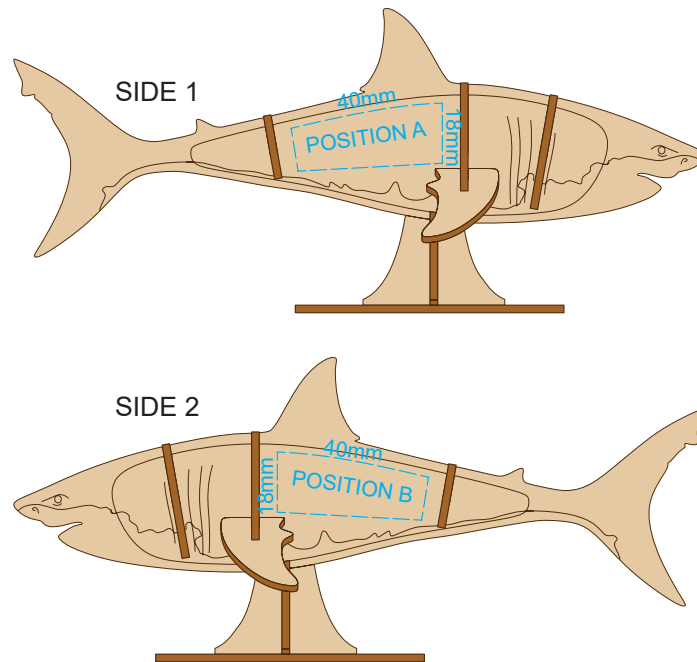
100% of Actual Artwork Print Area



**BRANDING SPECIFICATION - Shark Wooden Model - 126734**

This product is made from natural wood, therefore some slight colour variation are considered acceptable. The product is provided flat packed in a cardboard sleeve with assembly instructions.

50% of Actual Size  
Laser Engraving

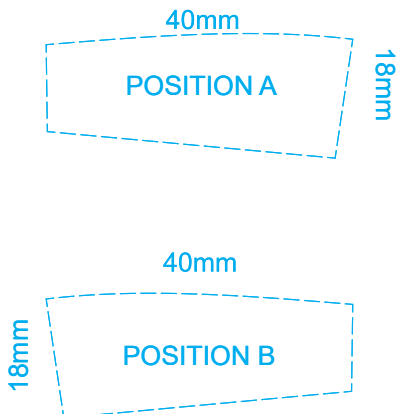


This product is a natural material, please allow for variances in grain pattern and engraving colour.  
Up to a 2mm tolerance is expected for alignment of the printed artwork against the engraved lines.  
Slight inconsistencies are to be considered acceptable if the artwork is printed over an engraved line

Blue Line = Safe area for Artwork

 Laser engraves to a natural etch

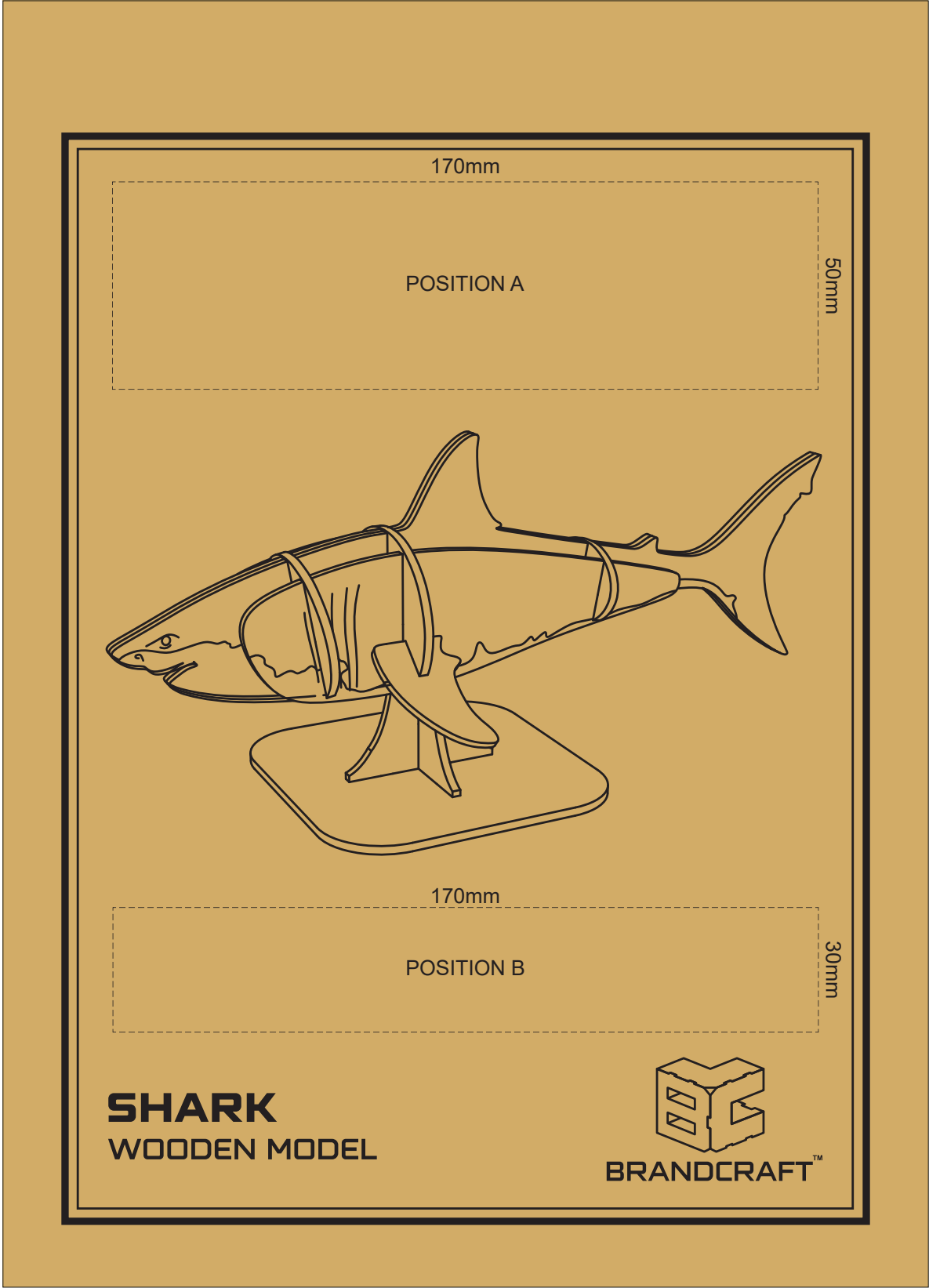
100% of Actual Artwork Print Area



**BRANDING SPECIFICATION - Shark Wooden Model - 126734**

This product is made from natural wood, therefore some slight colour variation are considered acceptable.  
The product is provided flat packed in a cardboard sleeve with assembly instructions.

70% of Actual Size  
Digital Packaging Print



Artwork will be printed directly onto the product via CMYK printing (no white)  
Colours will not be vibrant due to white ink not being available for this process.