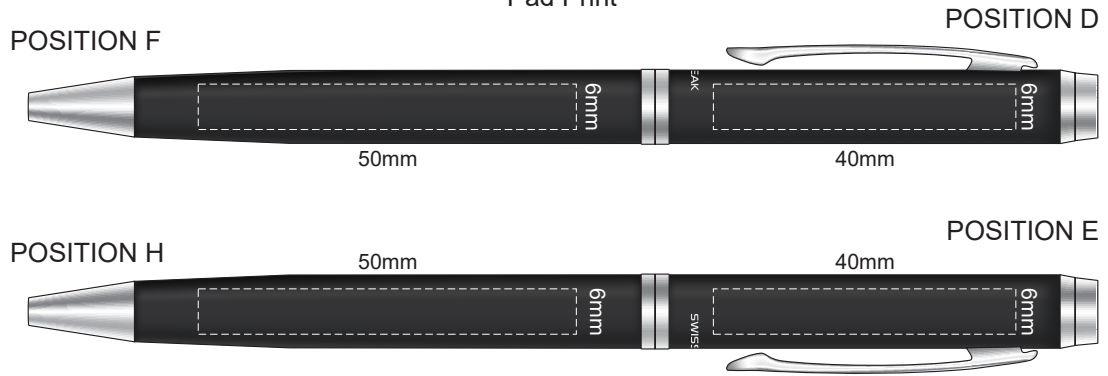


100% of Actual Size
Pad Print



100% of Actual Size
Laser Engraving



Engraves to a stainless Steel finish